

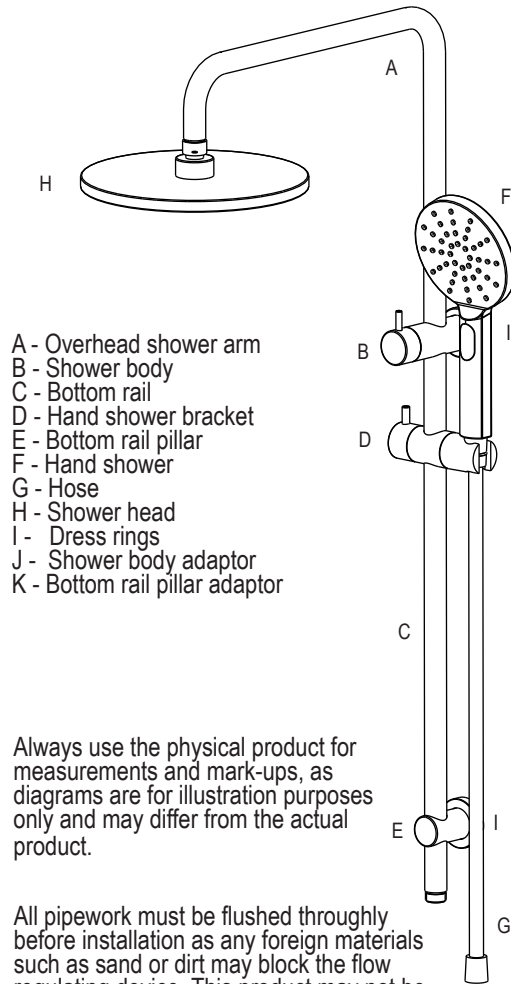


TWIN SHOWER (FULL COMBO) - INSTALLATION INSTRUCTIONS

FRANZ: ARTLINE / SPECTRA

STEP 1. MEASURE INSTALLATION POINTS AND ATTACH TO WALL

Install a 1/2" male threaded connection at appropriate height on wall. To find the shower body adaptor (J) loosen the grub screws and remove it from the shower body (B). Apply thread tape to the threaded connection. Screw the shower body adaptor onto the threaded connection.

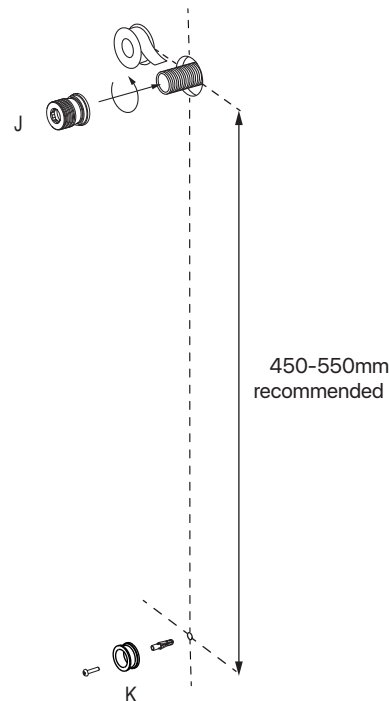


- A - Overhead shower arm
- B - Shower body
- C - Bottom rail
- D - Hand shower bracket
- E - Bottom rail pillar
- F - Hand shower
- G - Hose
- H - Shower head
- I - Dress rings
- J - Shower body adaptor
- K - Bottom rail pillar adaptor

Always use the physical product for measurements and mark-ups, as diagrams are for illustration purposes only and may differ from the actual product.

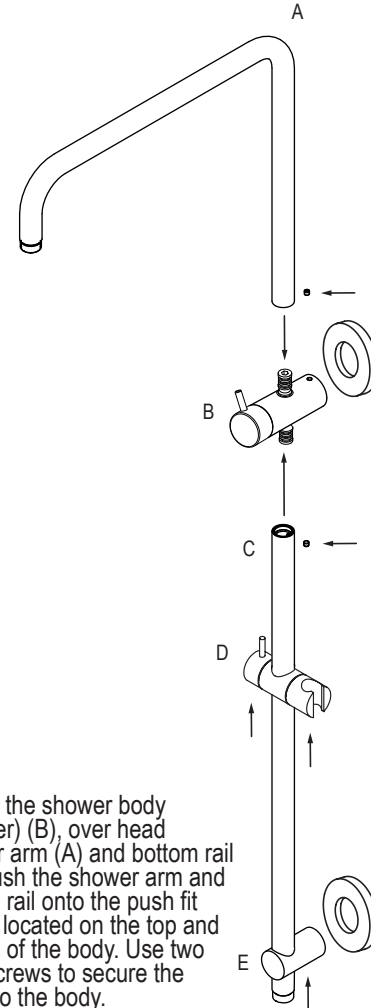
All pipework must be flushed thoroughly before installation as any foreign materials such as sand or dirt may block the flow regulating device. This product may not be suitable for gravity fed water systems.

Cleaning & Care:
The product is only to be cleaned with warm soapy water. Under no circumstances should any abrasive, cream or acid based cleaning agents be used as these types of cleaners can damage the finish.



Measure vertically from the center of the threaded wall connection and pencil in the desired length for the bottom rail pillar to be installed. Maximum distance from center to center is 550mm. To find the bottom rail pillar adaptor (K) loosen the grub screws and remove it from the bottom rail pillar (E). Using the wall plug and screw, fix the bottom rail pillar adaptor to the wall.

STEP 2. ASSEMBLE THE MAIN SHOWER RAIL COMPONENTS

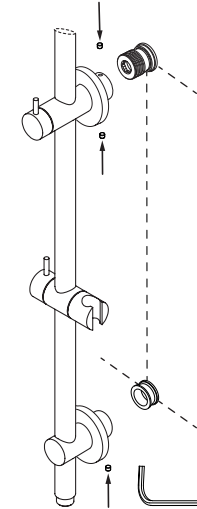


Locate the shower body (diverter) (B), overhead shower arm (A) and bottom rail (C). Push the shower arm and bottom rail onto the push fit fittings located on the top and bottom of the body. Use two grub screws to secure the tubes to the body.

Gently slide the hand shower bracket (D) onto the rail from the bottom first, followed by the bottom rail pillar (E).

Place the top and bottom dress rings (I) over the shower body and bottom rail pillar.

STEP 3. PUSH SHOWER BODY & BOTTOM RAIL PILLAR ONTO THE WALL



Push the assembled shower onto the wall adaptors. Use the grub screws and Allen key provided to secure the shower body and bottom rail pillar to the wall, then slide the dress rings flush against the wall.

STEP 4. CONNECT SHOWER HEAD, HAND SHOWER AND HOSE

Screw in the shower head (H) to the shower arm (A). Attach the shower hose (C) to the hand shower (F).

Check that all rubber washers are in place in the shower head and both ends of the shower hose to ensure a water tight seal. Tilt the shower head to desired position and test for leaks.

