

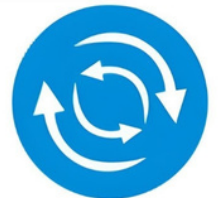
## DETAILS

Style:	WALL FACED SUITE
Flush Style:	JET RIMLESS TORNADO
Pan Height:	410MM TO TOP OF PAN
Water Inlet:	REAR & BOTTOM OF CISTERN
Button:	ROUND CHROME 38MM HOLE
Seat:	SLIM SANDWICH STYLE
Trap:	P & S TRAP
Setout:	100MM TO 180MM



## FEATURES

- Easy to clean Jet Rimless Pan
- Jet tornado swirl flush
- Out of view, flushing entry point, at front of pan
- Nano coat pan internal, for ease of cleaning
- R&T Cistern Internals



**JET  
TORNADO  
RIMLESS**



## WARRANTY



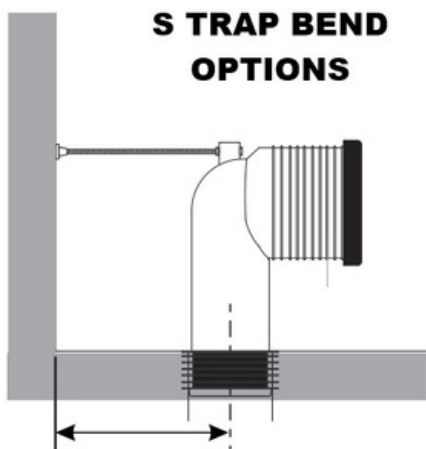
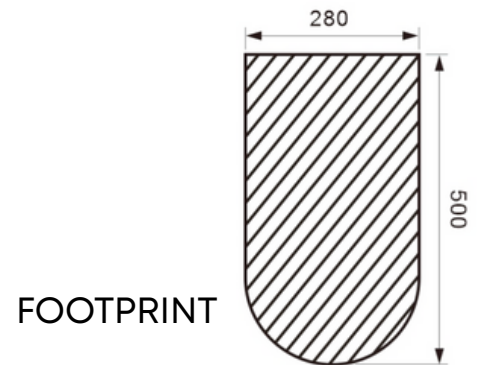
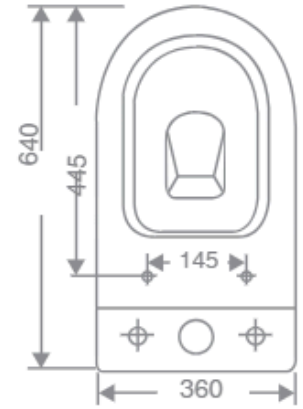
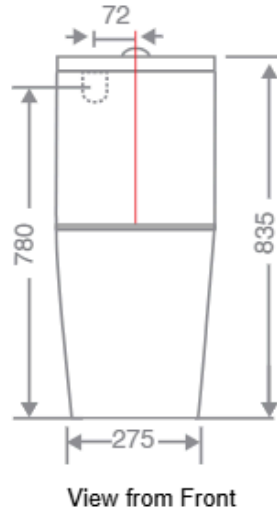
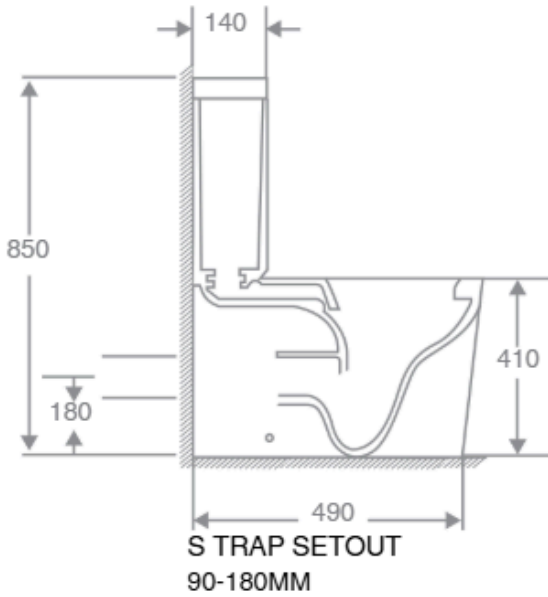
\*Conditions Apply  
Refer [cobandpen.com.au](http://cobandpen.com.au)  
for full details

ISSUE DATE  
1.12.25

Disclaimer: Products in this specification manual must by regulation be installed by licensed and registered trade people. The manufacturer/distributor reserves the right to vary specifications or delete models from their range without prior notification. Dimensions and set-outs listed are correct at time of publication however the manufacturer/distributor takes no responsibility for printing errors. Have actual item onsite before commencing any works Allow +/- variations to the measurements listed here Tapware & Wastes for display only



[cobandpen.com.au](http://cobandpen.com.au)



- COMES WITH PWG002 BEND 1653619

- **OPTIONAL PWG003 BEND 1626169 MAX OFFSET CAN BE 240MM**

