



AS 1428.1 Ambulant
Compliant



RANGE : ESSENCE
MODEL : CROMPTON
CODE : 1661785

DETAILS

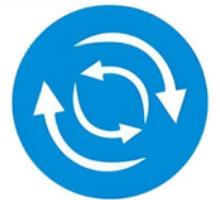
Style: WALL FACED SUITE
Flush Style: JET RIMLESS TORNADO
Pan Height: 435MM TO TOP OF PAN
Water Inlet: REAR & BOTTOM OF CISTERN
Button: ROUND CHROME 38MM HOLE
Seat: SLIM SANDWICH STYLE
Trap: P & S TRAP
Setout: 110MM TO 200MM

Raised Height
435MM



FEATURES

- Easy to clean rimless pan
- Jet tornado swirl flush
- Out of view, flushing entry point, towards front of pan
- Nano coat pan internal, for ease of cleaning
- R&T Cistern Internals



JET
TORNADO
RIMLESS



WARRANTY



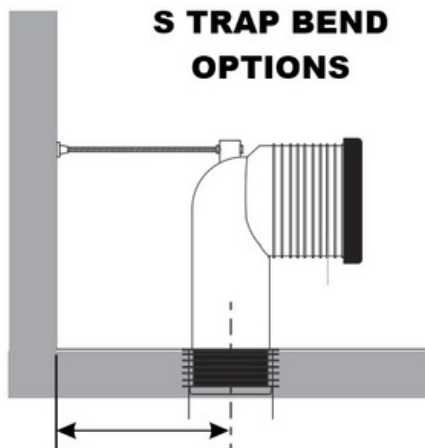
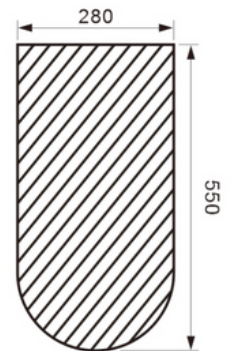
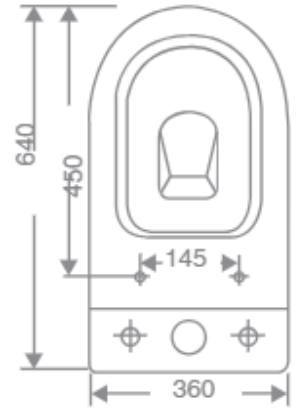
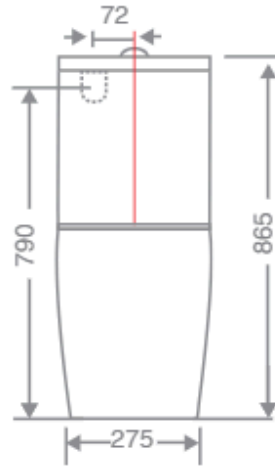
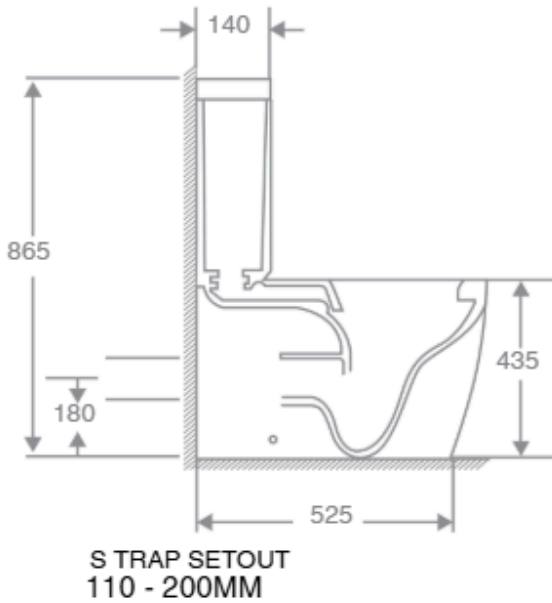
*Conditions Apply
Refer cobandpen.com.au
for full details

ISSUE DATE
1.12.25

Disclaimer: Products in this specification manual must by regulation be installed by licensed and registered trade people. The manufacturer/distributor reserves the right to vary specifications or delete models from their range without prior notification. Dimensions and set-outs listed are correct at time of publication however the manufacturer/distributor takes no responsibility for printing errors. Have actual item onsite before commencing any works Allow +/- variations to the measurements listed here Tapware & Wastes for display only



cobandpen.com.au



- COMES WITH PWG002 BEND 1653619

- OPTIONAL PWG003 BEND 1626169 MAX OFFSET CAN BE 240MM

