

Comply to AS1428.1 2009
AMDT 1 design for access
and mobility requirements

CODE : 1626138 &
105818

DETAILS

Style - Care Sink Mixer

Colour - Chrome

Style- Swivel

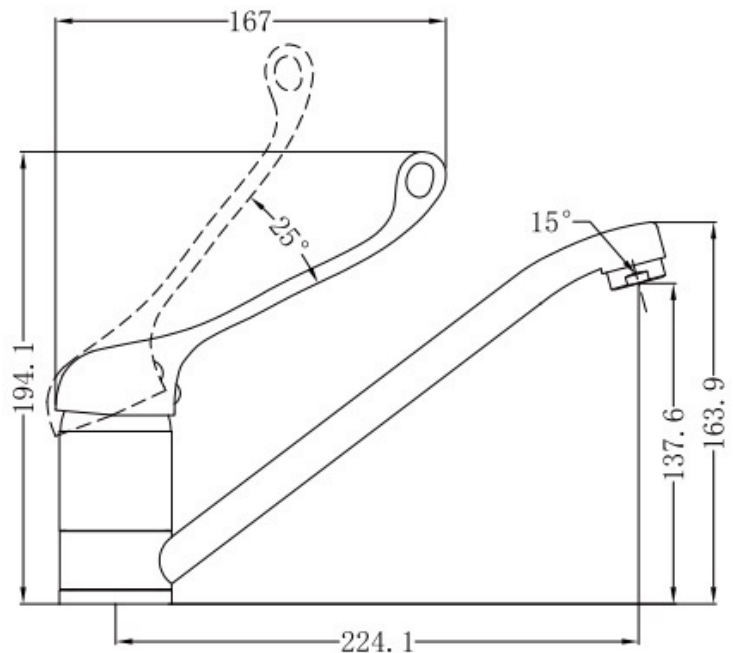
Use- Kitchen & Laundry



FEATURES

- Clean lines
- Modern Design
- Perfect for Care Areas

SECIFICATIONS



WARRANTY



CARTRIDGE: 15 Yrs
FINISH: 7 Yrs
LABOUR: 1 Yrs

ISSUE DATE
25.1.25

Disclaimer: Products in this specification manual must by regulation be installed by licensed and registered trade people. The manufacturer/distributor reserves the right to vary specifications or delete models from their range without prior notification. Dimensions and set-outs listed are correct at time of publication however the manufacturer/distributor takes no responsibility for printing errors. Have actual item onsite before commencing any works Allow +/- variations to the measurements listed here Tapware & Wastes for display only



cobandpen.com.au