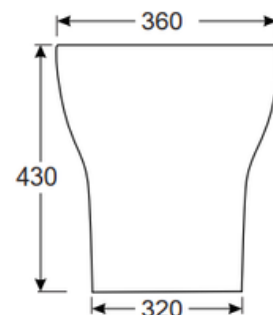
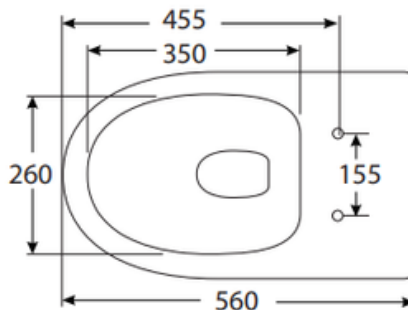
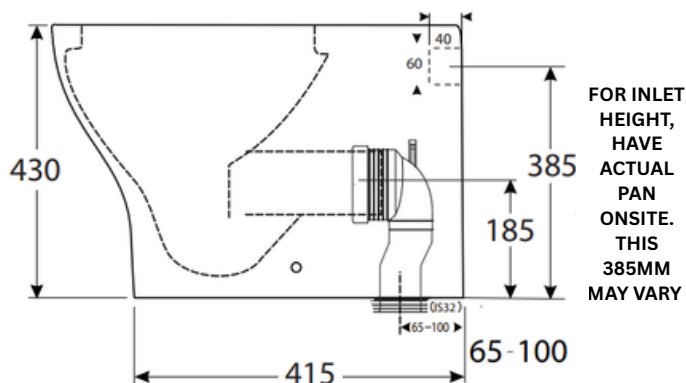
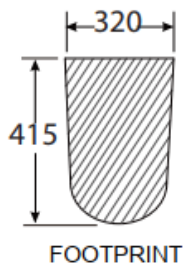


PANS FOR INWALL CISTERNS

TACOMA 1630104



- TACOMA WALL FACED PAN 1630104
- RAISED HEIGHT 430MM TOP OF PAN
- TORNADO FLUSH
- NANO COATED ANTI BACTERIAL

- THIN SOFT CLOSE SEAT
- 4 STAR WELS 4.5/3L
- P TRAP
- 65MM TO 100MM S TRAP SETOUT