






Elgin Wall Basin Mixer

Finish & SKU

- | | |
|--|--|
|  Chrome
NR231410aCH |  Brushed Nickel
NR231410aBN |
|  Matte Black
NR231410aMB |  Brushed Gold
NR231410aBG |
|  Gun Metal
NR231410aGM | |



Specifications

Watermark License

WM-060073

Temperature Rating

Min 1°C-Max 75°C

Pressure Rating

Min 150kpa-Max 500kpa

Features

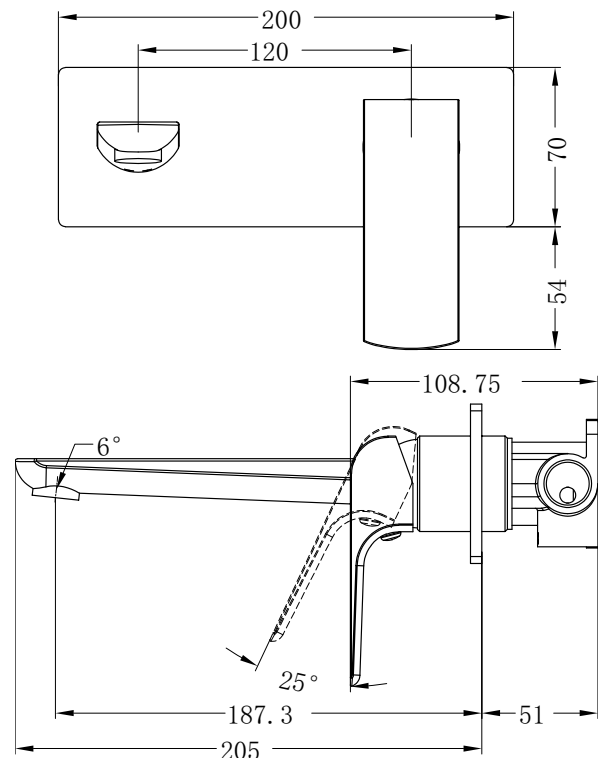
- 35mm ceramic disc cartridge can be adjusted to control water temperature and flow control settings, saving energy
- Solid brass construction for longevity
- Water inlets- 1/2 BSP female
- Suitable for mains pressure installation
- Replaceable trim kits
- Packed separately (Body and Trim Kits)
- Includes an additional non-restricting aerator for bath use.

Maintenance And Care

- Regularly check the mixer and connections for signs of wear or leaks.
- Clean the tap with mild soapy water to maintain its appearance, avoiding harsh chemicals and abrasive materials that may damage the finish.



Lead Free



- Dimensions are nominal measurements only.