



AS 1428.1 Ambulant Compliant



RANGE : ESSENCE

MODEL : AMALFI

CODE: 1652962

DDA Compliant – Washbasin will comply with the requirements under AS1428.1 for a washbasin in an accessible toilet, if installed to specified regulations

DETAILS

Style:	Wall Basin
Tap Holes:	One
Overflow:	Yes
Waste Size:	32mm Overflow
Finish:	Gloss White
Fixings :	Bolts Provided



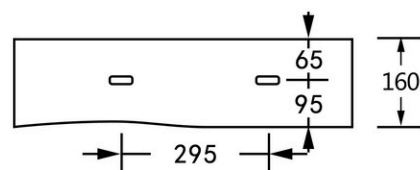
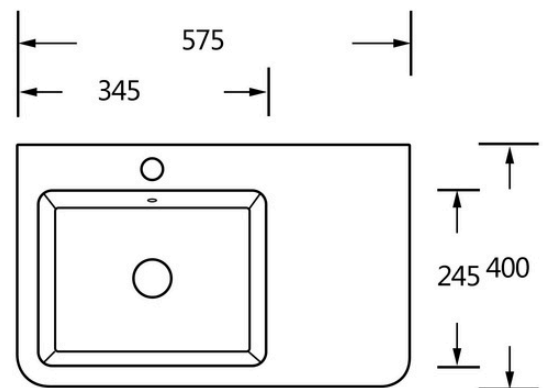
FEATURES

- Clean lines
- Integrated Overflow
- LH Basin
- Thin Edged

WARRANTY



*Conditions Apply
Refer cobandpen.com.au
for full details



ISSUE DATE
28.1.25

Disclaimer: Products in this specification manual must by regulation be installed by licensed and registered trade people. The manufacturer/distributor reserves the right to vary specifications or delete models from their range without prior notification. Dimensions and set-outs listed are correct at time of publication however the manufacturer/distributor takes no responsibility for printing errors. Have actual item onsite before commencing any works Allow +/- variations to the measurements listed here Tapware & Wastes for display only



cobandpen.com.au